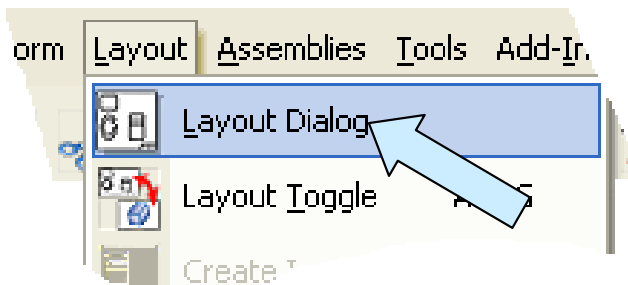
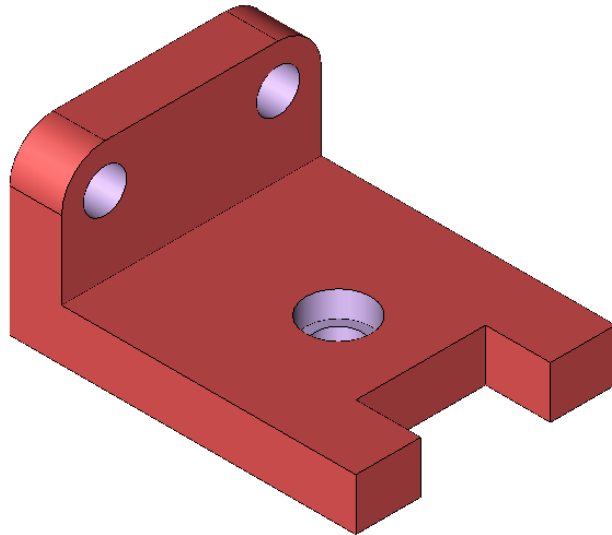


## KeyCreator Lesson KC1061 Creating an Associated Drawing of the “L-Bracket” Part

In lesson KC1021 we created a simple “L-shaped” bracket.

In this lesson we are going to construct an associated drawing of the part using KeyCreator’s Layout Function.

Start by opening the KC1021 design file.



Click on the LAYOUT DIALOG Icon.

A large Layout Control Dialog Box appears.

Notice that the title of the layout by default is New Layout 1.

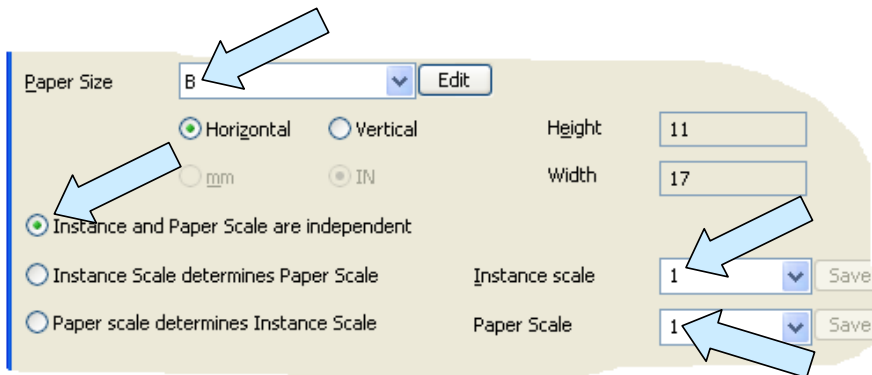
To give the layout a more descriptive title, click on the RENAME Button on the right side of the Dialog Box.

A small Dialog Box appears.

Type “Lblock1061” for the name and hit the ENTER Key.

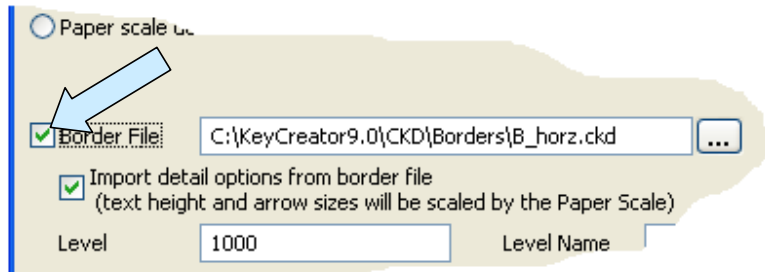


For this layout we'll want the Instance and Paper scale to be independent and both of them set at 1.



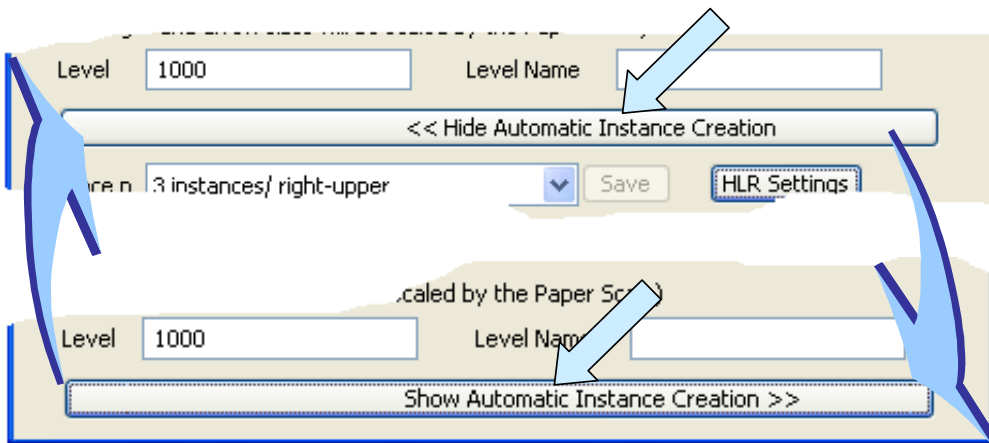
We'll use a "B" paper size.

Click to place a check on the Border File Option. We'll use the B\_horizontal border supplied with the software.

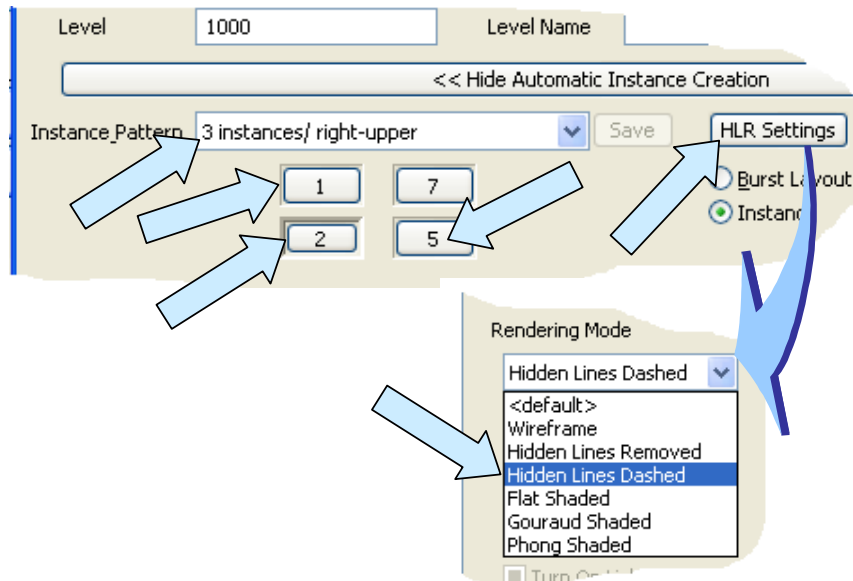


(Once you have set up your system, you'll create standard border files that are customized for your company, with your own unique title blocks and other features.)

Notice the long horizontal button that extends across the middle of the Dialog Box. Clicking this button toggles the Automatic Instance Creation Options Off and On.

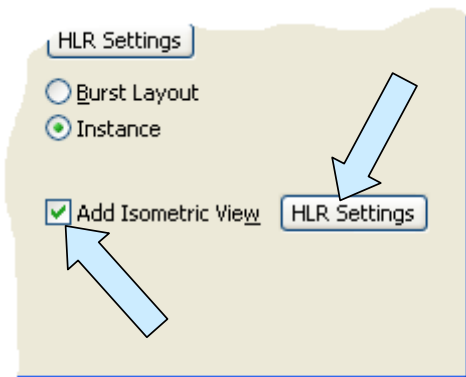


With the automatic Instance Creation Options visible, we'll use the 3 Instances, right-upper Option with the Top View (1), Front View (2), and Right Side View (5) selected.



If you click on the HLR Settings Button to the right of the Instance Pattern a new Dialog Box appears.

Select the Hidden Lines Dashed Option for rendering the instances.

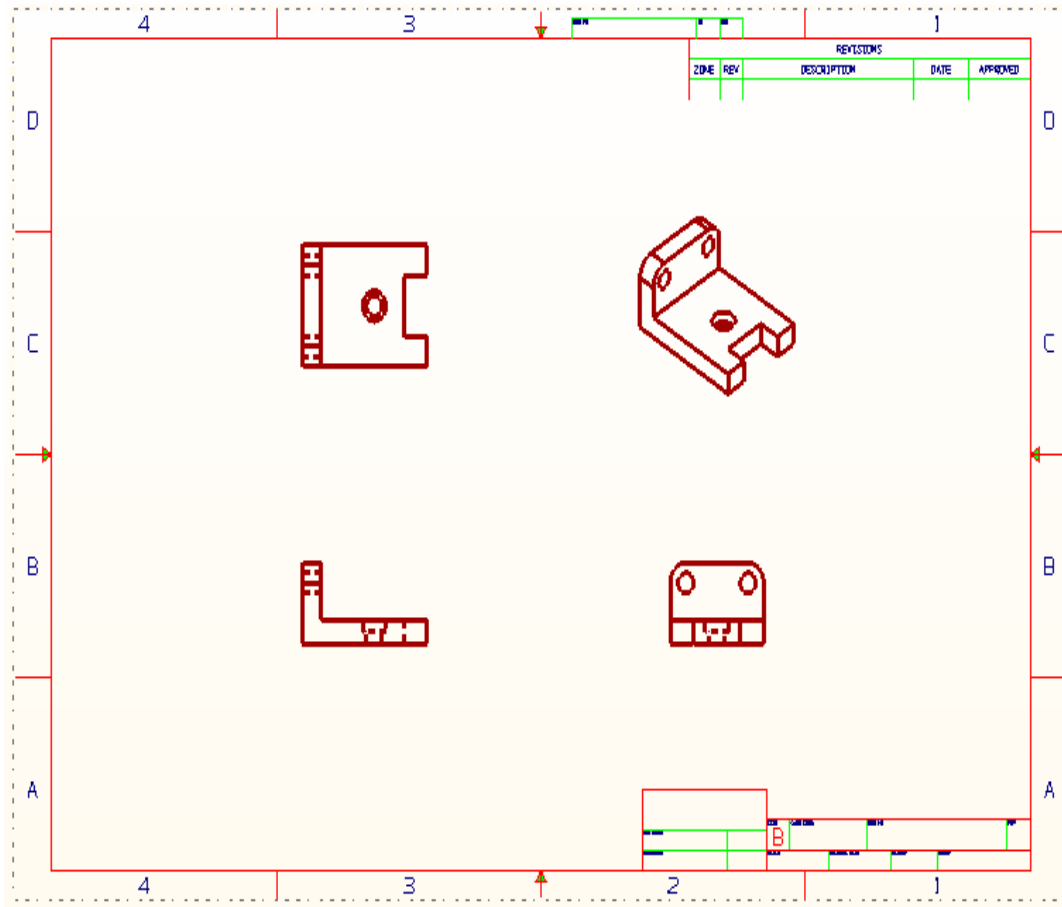


To add an Isometric View, click to place a check on this option.

You can click on the HLR Settings Button for the Isometric View and select Hidden Line Removed for the rendering option.

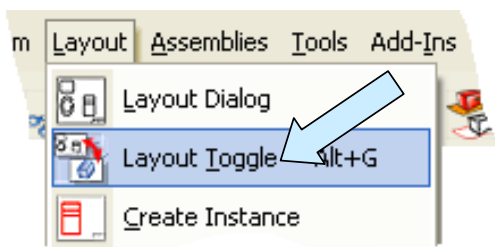
When you are done, click on the OK Button in the top, right corner of the Dialog Box to complete your work.

You will now have a drawing on your screen.

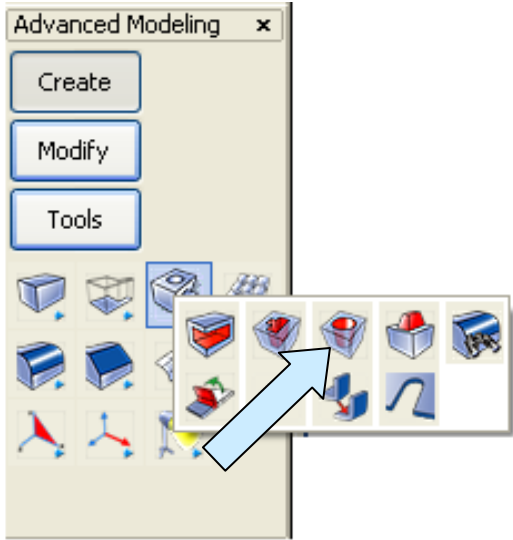


You can now proceed to add dimensions to the views on your drawings and fill in the title block information using the NOTE Tools.

Note: This layout is associated with the model that you built. If you modify the model the changes will be reflected in this drawing. In KeyCreator we normally make all changes such as adding holes, etc. on our solid model and let the software automatically update any layouts associated with the model.



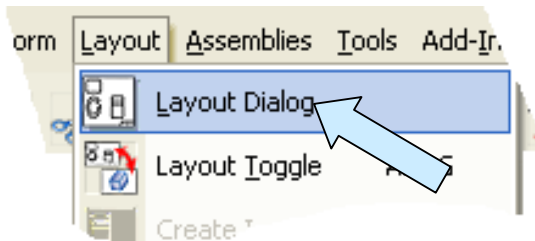
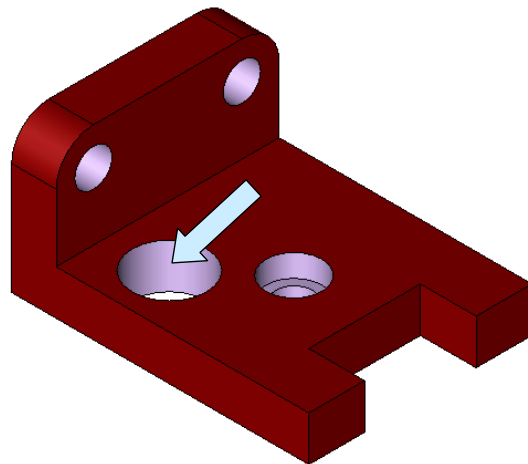
You can see how this works by exiting to model mode. Do this by clicking on the LAYOUT TOGGLE Icon.



Now you are back in Model Mode.

You can use the DRILL Icon to create another hole anywhere on your part.

I'm going to create a 0.5 diameter hole in the horizontal leg of the part. Try something similar.



Now, click on the LAYOUT DIALOG Icon and select your existing layout from the layout list.

You are returned to your drawing. Notice that the new hole appears in all four views.

